

# Water filter systems for Follett icemakers and ice and water dispensers

Now with Agion<sup>®</sup>  
antimicrobial product protection!



Water filter system for use with Follett<sup>®</sup> Horizon<sup>™</sup> and Maestro<sup>™</sup> icemakers and Symphony<sup>™</sup> ice and water dispensers. System includes pre-filter, primary filter(s), pressure gauge and wall mounting bracket.

**Important: Not for use with carbonated water – separate system required.**

### Better-tasting, cleaner, ice and water

- Includes Micropure<sup>®</sup> II media featuring Agion antimicrobial product protection to inhibit the growth of biofilm and enhance filter performance\*\*.
- Traps dirt as small as 0.5 micron in size
- Removes chlorine, off-tastes and odors
- Advanced filtration system filters out parasitic cysts
- Certified to ANSI/NSF standards 42 and 53

### Improves icemaker performance

- Dramatically reduces the most common water-related icemaker problems
- Keeps icemakers functioning at full capacity
- Reduces scale build-up from dirt and minerals in the water by up to 70%
- Removes dirt and abrasive particles that can damage internal workings of icemaker
- Saves energy and reduces downtime

### Space-saving design

- Single primary filter system can be mounted in areas as small as 19" (483 mm) high by 14.75" (375 mm) wide
- Both single and double primary filter systems can be mounted out of the way below standard 34" – 36" (864 mm – 915 mm) counters

### Pre-filter system saves money

- Economical pre-filter filters out large particles and extends life of primary filters

### Ordering information

Complete Water Filter Systems	Item #	Quantity
<b>One pre-filter, one primary:</b> for all Symphony ice and water dispensers and Maestro Chewblet ice and flake icemakers	00130229	1
<b>One pre-filter, two primary:</b> for all Horizon series icemakers	00130286	1

Replacement Cartridges	Item #	Cartridge Quantity Per Package
<b>Primary filter, carton</b>	<b>00954297</b>	<b>6</b>
Primary filter, single	00130245	1
<b>Pre-filter, carton</b>	<b>00954305</b>	<b>12</b>
Pre-filter, single	00130211	1

\* Micro-Pure<sup>®</sup> II is a registered trademark of Everpure, a division of Pentair Foodservice.

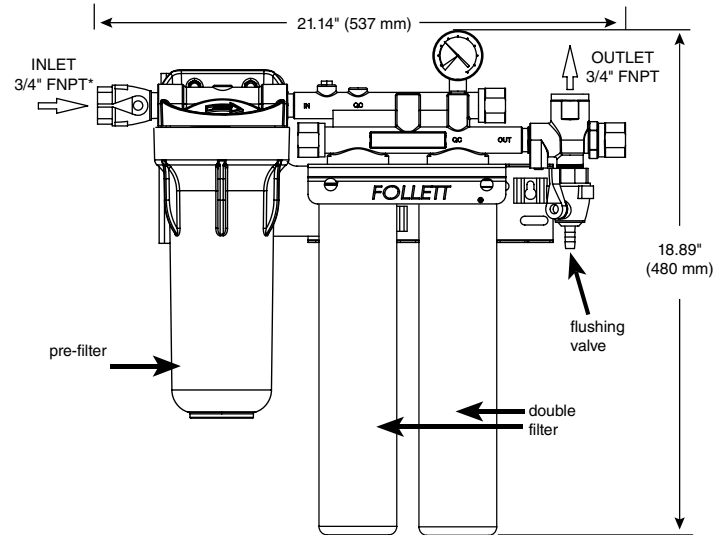
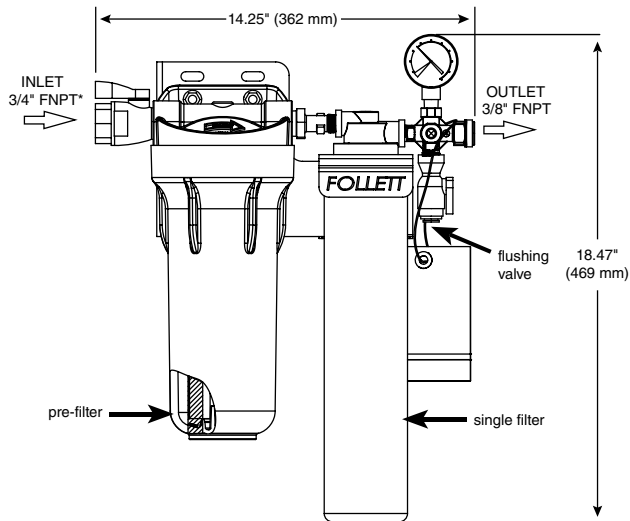
\*\* Disclaimer: Antimicrobial protection is limited to the treatment of filter media and does not treat water or ice.

Agion is a registered trademark of Agion Technologies Inc., Wakefield, MA, USA.

# Water filter systems for Follett icemakers and ice and water dispensers

**Single Primary Filter System**  
item# 00130229

**Double Primary Filter System**  
item# 00130286



\* 3/8" reducer bushing included with system.

## Approximate shipping weight

00130229 – 15 lbs (6.8 kg)

00130286 – 16 lbs (7.3 kg)

## Specifications

- Clearance required: 2.5" (64 mm) at bottom of filter for cartridge removal
- Flow rate: 0.5 gpm (1.9 lpm)
- Pressure range 10 – 125 psi, non-shock
- Capacity: Certified for chlorine and taste; odor reduction  
00130229 – 3,000 gallons (11,400 liters)  
00130286 – 6,000 gallons (22,800 liters)
- Water temperature: +35 – +100 F (+2 – +38 C)

## NSF International Standards

### Standard No. 42: Aesthetic Effects

Chemical Unit Taste & Odor and Chlorine Reduction, Class 1

Mechanical Filtration Unit Particulate Reduction, Class 1: 99.9% reduction of particles 1/2 micron and larger in size

### Standard No. 53: Health Effects

Mechanical Filtration Unit

Cyst Reduction

Both systems (manufactured by Everpure, Inc.) have been tested and certified by NSF only for the functions listed above. Check for compliance with state and local laws and regulations. Do not use where the water is microbiologically unsafe or with water of unknown quality without adequate disinfection before or after the unit. May be used with disinfected water where filterable cysts may be present.

Horizon, Maestro and Symphony are trademarks of Follett Corporation.

Chewblet and Follett are registered trademarks of Follett Corporation, registered in the US.

Follett reserves the right to change specifications at any time without obligation. Certifications may vary depending on country of origin.